

YAMAHA

XJR 1200 / 1300



TECHNICAL DATA

YEAR : '95-'03
Model : XJR1200 / XJR1300
Type : X-TREME
System :
Mufflermaterial : Inox



* **Orderno.**

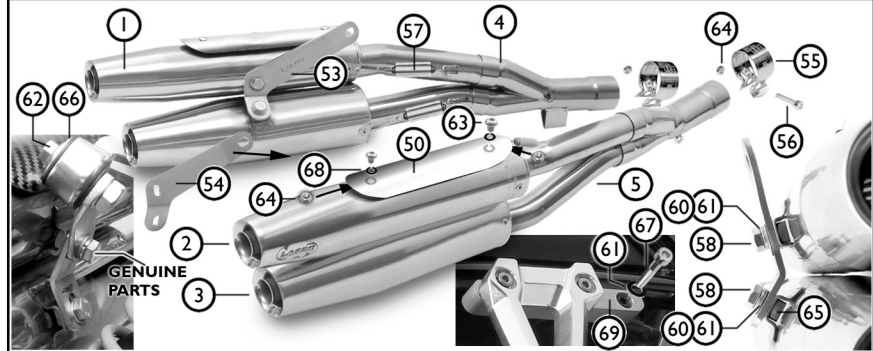
Laser X-Treme Inox

-Homologated 84.3007.1

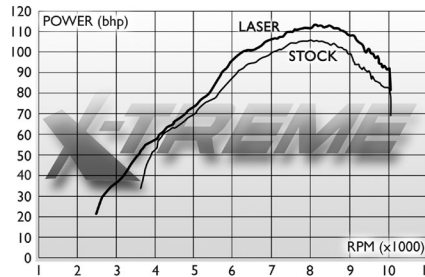


Slip-on muffler

Orderno.: 84.3007.*



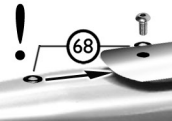
POWERCURVE



ADDITIONAL INFORMATION



Legal-insert
 or
Sports-insert



Legal-insert
 or
Sports-insert



APPROVAL

Sound Level (static)



Original: 91dB(A) LASER: 94dB(A) +SPORTS INSERT: 97dB(A)

SPECIAL/OPTIONAL

Sports versions suffix:

Homologated versions suffix:		
		I