

SELF-DIAGNOSIS FUNCTION

The self-diagnosis function is incorporated in the ECU.

The function has two modes, "USER MODE" and "DEALER MODE".

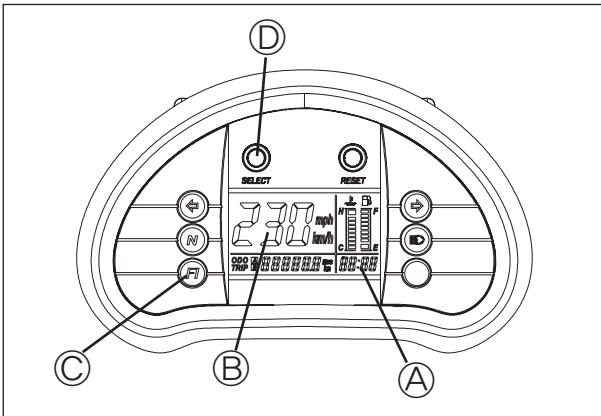
The user can be notified by the LCD display panel **(B)** and the "FI" check lamp "**(F)**" **(C)**.

To check the function of the individual EI system devices, the dealer mode is prepared.

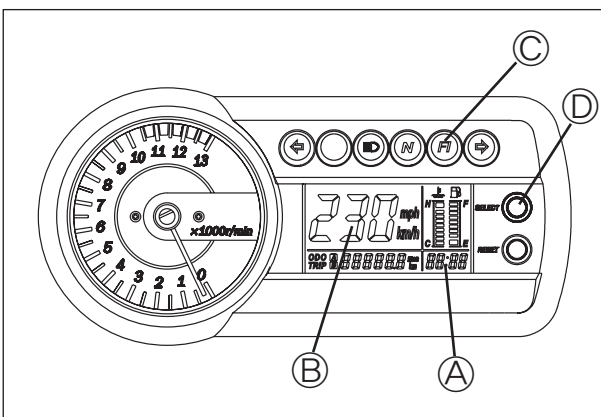
In this check, the special tool and additional operations is necessary to read the code of the malfunction items.

⦿ USER MODE

GV650 PRO D spec



GT650 PEI D spec &
GT650 EI D spec



GT650 REI D spec &
GT650 SEI D spec

